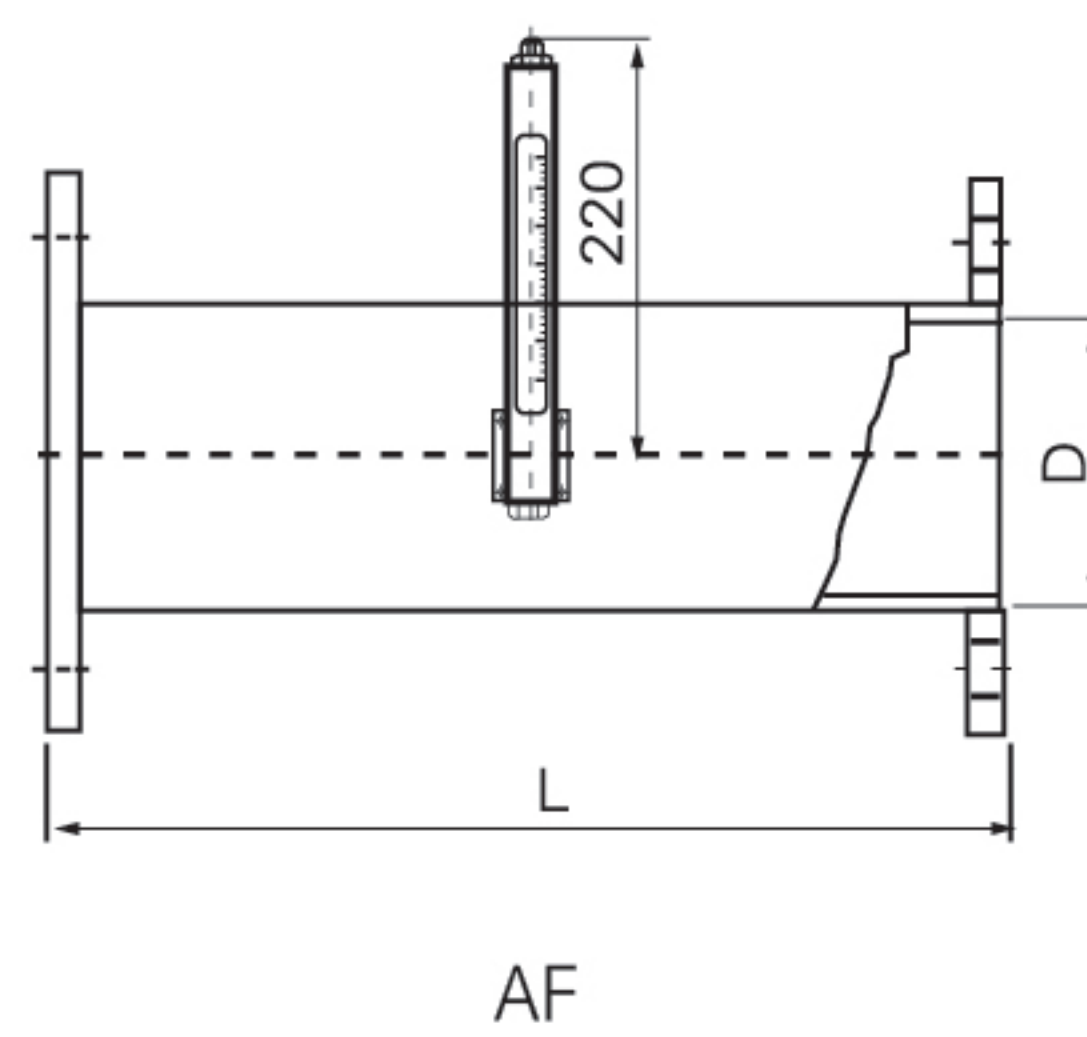
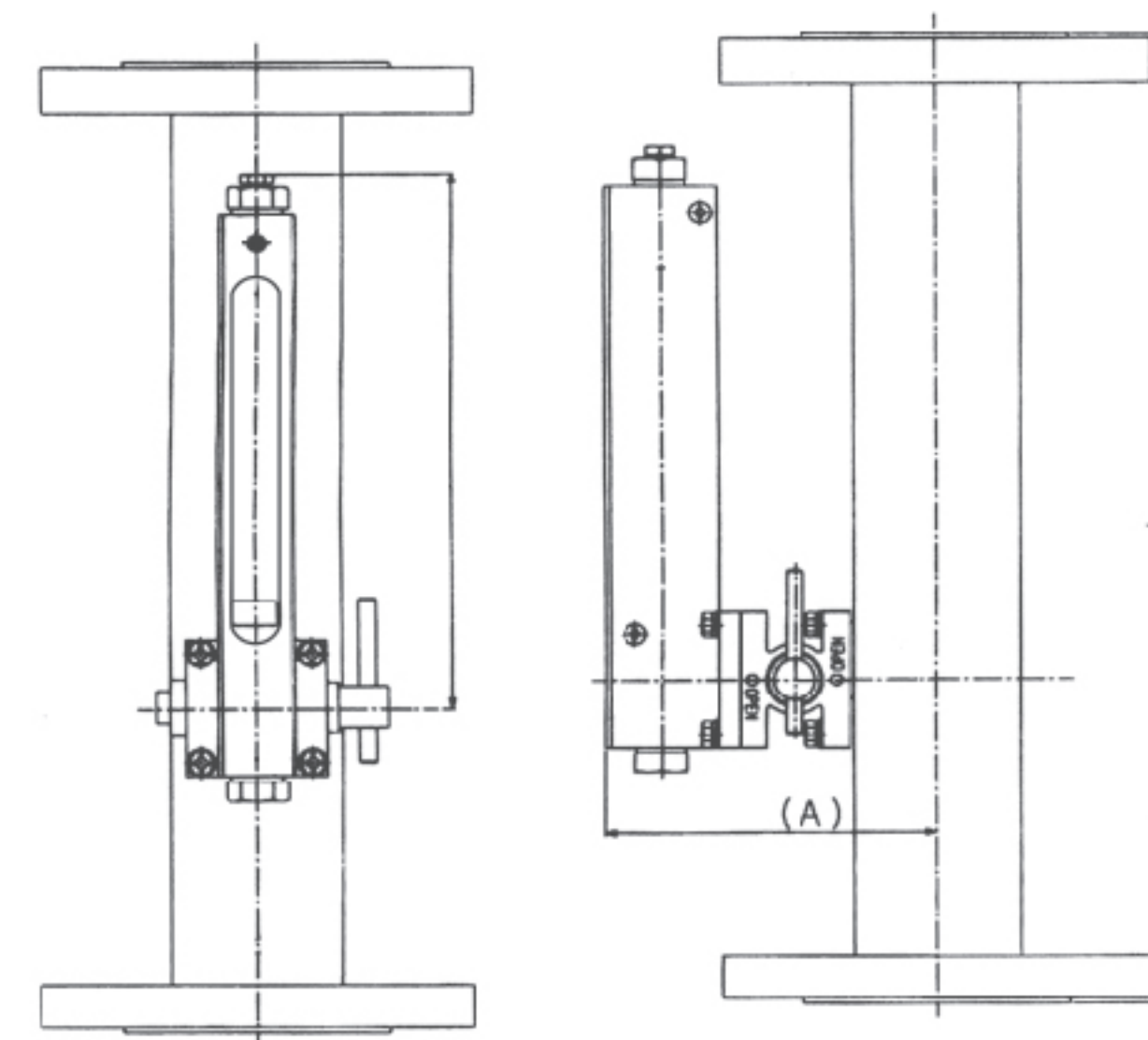


# KF600-AF Series Flange Connection Orifice Plate Type Rotameter

From DN10 to DN600, easy installation and maintenance



Material: SS304



**KF600-AF Series Flange Connection Orifice Plate Type Rotameter** is an integrated orifice-diverted flowmeter, with the float flowmeter mounted beside the main pipe and combined as one unit with the diversion orifice plate. As fluid flows through the orifice, a differential pressure develops across it, causing part of the fluid to flow through the bypass, which then pushes the float in the glass tube, indicating the flow rate in the main pipe.

## FEATURES

- Low pressure loss
- Strong anti-clogging and wear resistance
- Bypass branch can be independently cleaned or replaced, convenient maintenance
- Wide turndown ratio and high precision
- Suitable for a variety of industrial applications
- High cost-effectiveness

## APPLICATIONS

- Petrochemical Industry
- Metallurgical Industry
- Textile Industry
- Pharmaceutical Industry
- Semiconductor Industry
- Food and Beverage Industry
- Paper and Pulp
- Power Plants
- Urban Water Supply and Drainage
- Environmental Protection
- New Energy Industry
- Shipbuilding Industry

## SPECIFICATIONS

<b>Pipe Size</b>	DN10 - DN600
<b>Accuracy</b>	±3%
<b>Temperature Rating</b>	0°C to 120°C
<b>Pressure Rating</b>	Less than 1MPa
<b>Process Connection</b>	Flange connection

## MODEL CHART

Example	KF600	-AF	-40	-2	-L	-xxx	-xxx	-1	-1	-1	
<b>Series</b>	KF600										Flange Connection Orifice Plate Type Rotameter
<b>Connection</b>		AF									Flange Connection
<b>Pipe Size</b>			40								DN40, 1-1/2", Range: Water: 2m³/h - 10m³/h, Air: 18Nm³/h - 90Nm³/h, L x A = 520x138, Weight: 7.1kg
			50								DN50, 2", Range: Water: 4m³/h - 20m³/h, Air: 35Nm³/h - 175Nm³/h, L x A = 520x143, Weight: 8.5kg
			65								DN65, 2-1/2", Range: Water: 7m³/h - 35m³/h, Air: 60Nm³/h - 300Nm³/h, L x A = 540x150, Weight: 11.4kg
			80								DN80, 3", Range: Water: 10m³/h - 50m³/h, Air: 80Nm³/h - 400Nm³/h, L x A = 540x157, Weight: 12kg
			100								DN100, 4", Range: Water: 18m³/h - 90m³/h, Air: 160Nm³/h - 800Nm³/h, L x A = 540x168, Weight: 15.5kg
			125								DN125, 5", Range: Water: 25m³/h - 125m³/h, Air: 250Nm³/h - 1250Nm³/h, L x A = 540x180, Weight: 20kg
			150								DN150, 6", Range: Water: 40m³/h - 200m³/h, Air: 350Nm³/h - 1700Nm³/h, L x A = 540x193, Weight: 27kg
			200								DN200, 8", Range: Water: 70m³/h - 350m³/h, Air: 600Nm³/h - 2800Nm³/h, L x A = 540x218, Weight: 35kg
			250								DN250, 10", Range: Water: 100m³/h - 500m³/h, Air: 900Nm³/h - 5000Nm³/h, L x A = 540x242, Weight: 50kg
			300								DN300, 12", Range: Water: 180m³/h - 900m³/h, Air: 1600Nm³/h - 7800Nm³/h, L x A = 540x268, Weight: 61kg
			350								DN350, 14", Range: Water: 200m³/h - 1000m³/h, Air: 2000Nm³/h - 9500Nm³/h, L x A = 540x460, Weight: 74kg
			400								DN400, 16", Range: Water: 300m³/h - 1500m³/h, Air: 3000Nm³/h - 14500Nm³/h, L x A = 540x510, Weight: 93kg
		450								DN450, 18", Range: Water: 400m³/h - 2000m³/h, Air: 4000Nm³/h - 19000Nm³/h, L x A = 540x560, Weight: 115kg	
		500								DN500, 20", Range: Water: 500m³/h - 2500m³/h, Air: 5000Nm³/h - 24000Nm³/h, L x A = 540x610, Weight: 130kg	
		600								DN600, 24", Range: Water: 600m³/h - 3000m³/h, Air: 6000Nm³/h - 30000Nm³/h, L x A = 540x710, Weight: 170kg	
<b>Connection Material</b>				2							304 Stainless Steel
<b>Medium</b>					L						Liquid
					A						Gas
<b>Working Pressure</b>						xxx					Less than 1MPa
<b>Working Temperature</b>							xxx				Less than 120°C
<b>Shut-off Valve</b>									1		304 stainless steel shut-off valve
									3		Without shut-off valve
<b>Thread Type</b>									1		DIN Standard
									2		American Standard (ANSI)
									3		Japanese Standard (JIS)
<b>Indicator Material</b>									1		All wetted parts of the small flow meter are made of 304 or 316 stainless steel
									2		All wetted parts of the small flow meter are made of PVC (optional photoelectric alarm switch)